

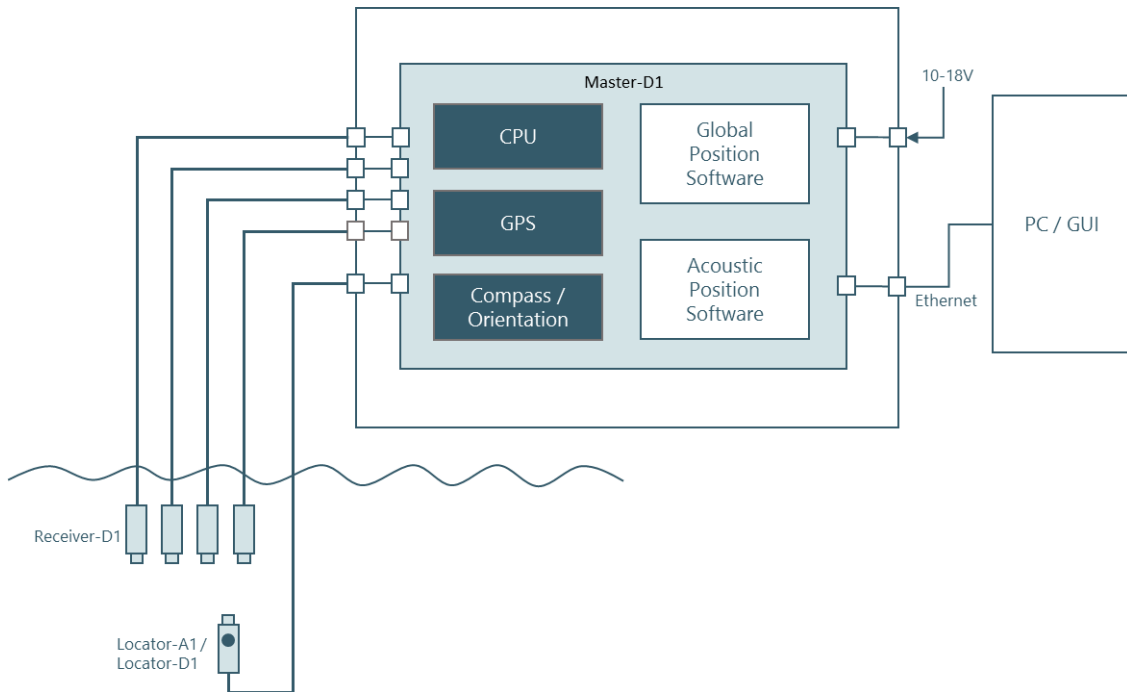
WL-11001 Underwater GPS Developer Kit

The Underwater GPS Developer Kit includes everything you need to get started with Water Linked modules for robust underwater positioning in your system. The Master-D1 calculates the position of any Locator relative to the position of the Receivers with the APS100 technology. Combined with the integrated GPS and IMU, it will provide the absolute GPS position of the Locator.



With a small physical footprint, the kit is easily integrated into even the most compact equipment. It can be used retro-fitted to your system with the included cable, our integrated through your umbilical. 3D position data is accessed through an easy-to-use API. Just power up and start exploring the underwater world!

BLOCK DIAGRAM



CONTENT

Qty	Description	Part #
1	Master-D1	WL-21008
4	Receiver-D1	WL-21005
1	Locator-D1/Locator-A1	WL-21016/21009
1	Acoustic Position SW	WL-71001
1	Global Position SW	WL-71002
1	GPS	TBD
1	Compass/Orientation	TBD
1	Case	WL-5200x
5	RJ45 Acoustic conn.	TBD
1	Power connector	TBD

SPECIFICATIONS

Parameters	Value
Part number	WL-11001
Part name	Underwater GPS dev. kit
Acoustic range	100 m
Supply voltage	10 -16 V
Case dimensions	TBD
Weight (case)	~ 1,5 kg
Operating temp.	-10°C to +60°C