

WL-21009 LOCATOR-A1



DESCRIPTION

The Locator-A1 is an analog hydro acoustic locator device. The A1 has the smallest physical footprint in our series of locators, and can be integrated into even the most compact ROV system.

The Locator-A1 does not carry its own depth sensor. In an Underwater GPS system, the Master-D1 will require the depth to be provided from the underwater vehicle (ROV etc.) using the Master-D1 software API.

The electrical interface complies with the Water Linked A1 communication standard.

BENEFITS

- Extremely small footprint enabling easy integration in other equipment.
- Highly robust operation in areas with reflections (shallow water, around installations etc.)

CONTENTS

- Locator-A1 with customer specified cable length
- Optional connector

FAMILY

The Locator-A1 is part of the Water Linked Underwater GPS System.

WL-20118 MASTER-D1

The Master D1 is the digital position computing board.

The Locator-A1 connects to the Master-D1 using a cable. The Master-D1 connects to your PC. The Master-D1 is a requirement in a positioning system.



WL-21005 RECEIVER-D1

The Receiver-D1 is a digital hydro acoustic receiver that is designed to receive the signal from a Water Linked Locator. A minimum of 3 Receiver-D1s are required to get the position of a Locator-A1.



MECHANICAL

Depth rating	: 300 m
Device length	: 41,4 mm
Device diameter	: 20 mm
Device weight in air	: 30 g
Operating temperature	: -10 to 60 °C

ACOUSTIC

Range	: 100 meter
Directivity	: Omnidirectional

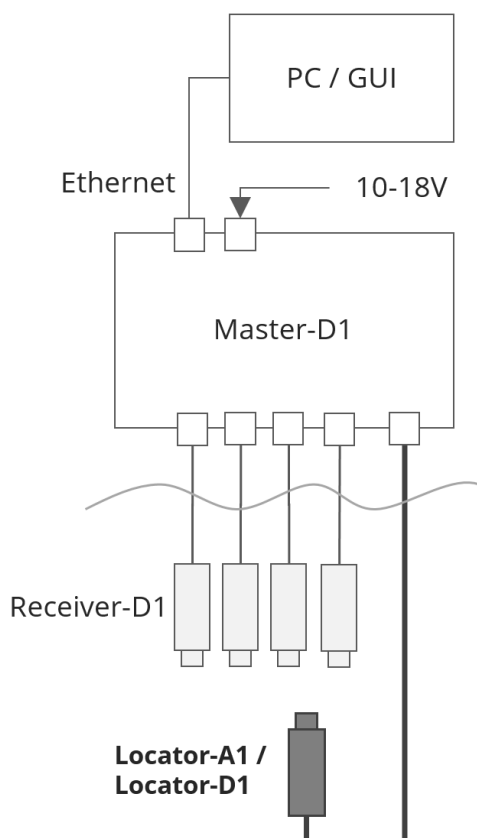
CONNECTORS

Max cable length	: 300 m
Signaling	: 1x twisted pairs
Cable type	: PUR 6,3 mm
Cable connector	: Binder Series-770 (IP67) or none

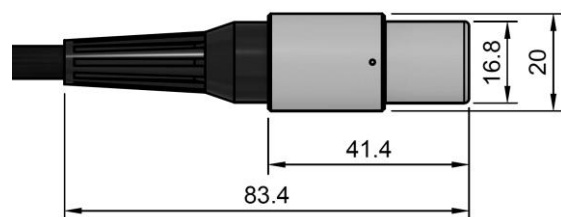
APPROVALS

RoHS compliant	
CE	

BLOCK DIAGRAM



DIMENSIONS



ORDERING GUIDE

		WL-21009 - N 001
PART NUMBER		
CONNECTOR TYPE		
B	Binder Series-770 IP67	
N	None	
CABLE LENGTH		
001	1 m	
025	25 m	
050	50 m	
100	100 m	
300	300 m	

Water Linked reserves all rights to this document and the information contained herein. Products, names, logos and designs described herein may in whole or in part be subject to intellectual property rights. The information contained herein is provided "as-is". No warranty of any kind, either expressed or implied, is made in relation to the accuracy, reliability, fitness for a particular purpose or content of this document. This document may be revised by Water Linked at any time. For most recent documents, please visit www.waterlinked.com
 Copyright © 2017, Water Linked.