

## WL-21016 LOCATOR-D1



### DESCRIPTION

The Locator-D1 is a digital hydro acoustic locator device including a depth sensor. The depth data is available through the D1 interface, and makes it well suited for retro-fitted and stand-alone applications.

The electrical interface complies with the Water Linked D1 communication standard. The Locator performs a chain of advanced digital signal processing operations before transmitting an acoustic wave.

### BENEFITS

- Extremely small footprint enabling easy integration in other equipment.
- No requirements to integrate depth and power from external systems.
- Highly robust operation in areas with reflections (shallow water, around installations etc.)

### CONTENTS

- Locator-D1 with customer specified cable length
- Optional connector

### FAMILY

The Locator-D1 is part of the Water Linked Underwater GPS System.

#### WL-20118 MASTER-D1

The Master D1 is the digital position computing board.

The Locator-D1 connects to the Master-D1 using a cable. The Master-D1 connects to your PC. The Master-D1 is a requirement in a positioning system.



#### WL-21005 RECEIVER-D1

The Receiver-D1 is a digital hydro acoustic receiver that is designed to receive the signal from a Water Linked Locator. A minimum of 3 Receiver-D1s are required to get the position of a Locator-D1.



## MECHANICAL

Depth rating	: 300 m
Device length	: 81,4 mm
Device diameter	: 30 mm
Device weight in air	: 50 g
Operating temperature	: -10 to 60 °C

## ELECTRICAL

Input voltage	: 10-18 V
Input current	: 130 mA

## ACOUSTIC

Range	: 100 meter
Directivity	: Omnidirectional

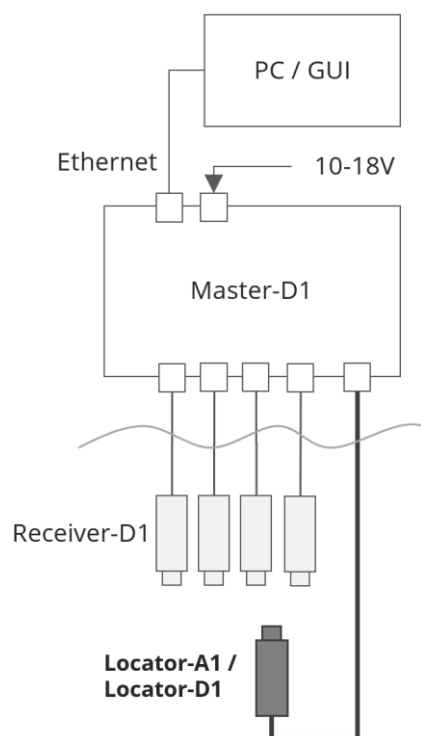
## CONNECTORS

Max cable length	: 100 m
Signaling	: 3x twisted pairs
Cable type	: PUR 6,3 mm
Cable connector	: Binder Series-770 (IP67) or none

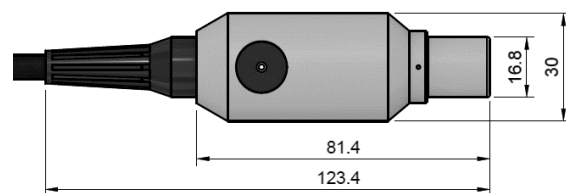
## APPROVALS

RoHS compliant  
CE

## BLOCK DIAGRAM



## DIMENSIONS



## ORDERING GUIDE

<b>WL-21016 - N 001</b>	
<b>PART NUMBER</b>	WL-21016
<b>CONNECTOR TYPE</b>	N
<b>CABLE LENGTH</b>	001
	025
	050
	100

**B** Binder Series-770 IP67  
**N** None

Water Linked reserves all rights to this document and the information contained herein. Products, names, logos and designs described herein may in whole or in part be subject to intellectual property rights. The information contained herein is provided "as-is". No warranty of any kind, either expressed or implied, is made in relation to the accuracy, reliability, fitness for a particular purpose or content of this document. This document may be revised by Water Linked at any time. For most recent documents, please visit [www.waterlinked.com](http://www.waterlinked.com)  
Copyright © 2017, Water Linked.