

## WL-11001 UNDERWATER GPS EXPLORER KIT



### DESCRIPTION

The Underwater GPS Explorer Kit includes everything you need to get started with robust underwater positioning. The Master-D1 calculates the position of any Locator relative to the position of the Receivers. Combined with the integrated GPS and IMU, it will provide the absolute GPS position of the Locator.

With a small physical footprint, the kit is easily integrated into even the most compact equipment. It can be used retro-fitted to your underwater vehicle, or integrated through your umbilical.

The Underwater GPS Explorer Kit is running an internal webserver exposing a GUI and an API. Just power up and start exploring the underwater world!

### BENEFITS

- Extremely small footprint makes for easy handling and operation.
- Highly robust operation in areas with reflections (shallow water, around installations etc.)
- Fully IP67 protected housing and connectors.

### CONTENTS

- 1x WL-21008 Master-D1
- 4x WL-21005-P010 Receiver-D1 (10m cable and Binder Series-770 connector)
- 1x WL-21018 Locator-U1 or 1x WL-21016 Locator-D1 or 1x WL-21009 Locator-A1 (selectable cable length and connector)
- 1x 3 meter Ethernet cable (Bulgin Series-6000 (IP68) to Shielded RJ45)
- 1x 3 meter power cable (Bulgin Series-6000 (IP68) to open end)
- 1x Housing (Pelican Case #1200)

### FEATURES

- Webserver exposing a user-friendly GUI
- Software API for integration purposes
- Acoustic Position SW
- Global Position SW
- GPS (Antenna included)
- IMU (Compass/Orientation)

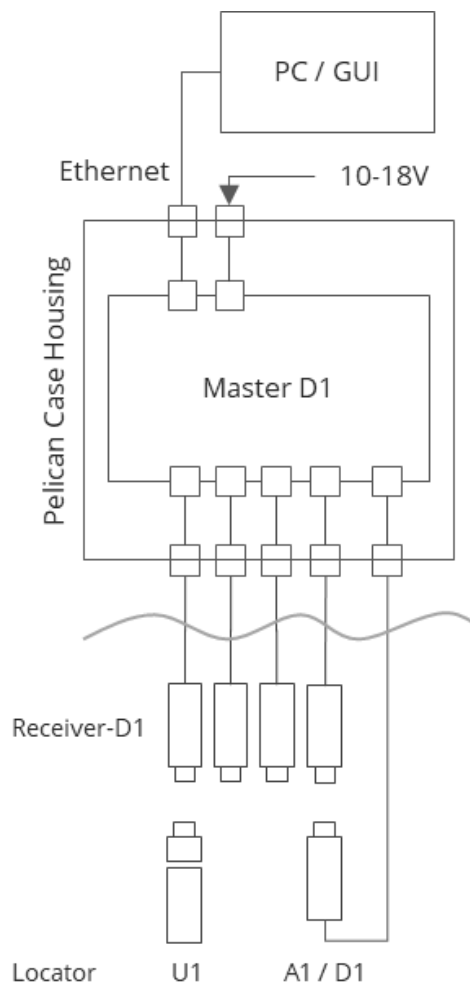
## MECHANICAL

Length	: 270 mm
Width	: 246 mm
Height	: 124 mm
Kit weight	: 1450 g
Operating temperature	: -10 to +60 °C

## ELECTRICAL

Input voltage	: 10-18 V
Input current	: 400 mA

## BLOCK DIAGRAM



## INTERFACES

D1 Interfaces	: 5x
(Typically 4 Receiver-D1 and 1 Locator-D1)	
D1 connector	: Binder Series-770 (IP67 plugged and unplugged)
D1 connector:	: JST BM06B-GHS-TBT
A1 Interfaces	: 1x
A1 connector	: Binder Series-770 (IP67 plugged and unplugged)
Ethernet interfaces	: 1x
Ethernet connector	: Bulgin Series-6000 (IP68 incl sealing cap)
Power connector	: Bulgin Series-6000 (IP68 incl sealing cap)

## ACOUSTIC

Range	: 100 meters
-------	--------------

## APPROVALS

RoHS compliant  
CE

## ORDERING GUIDE

<b>WL-11001 - A 001 N 010 B</b>	
<b>PART NUMBER</b>	WL-11001
<b>LOCATOR TYPE</b>	A 001 N 010 B
<b>LOCATOR CABLE LENGTH</b>	001 010 050 100 300
<b>LOCATOR CONNECTOR</b>	N B
<b>RECEIVER CABLE LENGTH</b>	010 050 100
<b>RECEIVER CONNECTOR</b>	N B

**A** Locator-A1  
**D** Locator-D1  
**U** Locator-U1  
**001** 1 m  
**050** 50 m  
**100** 100 m  
**300** 300 m  
**N** None  
**B** Binder Series-770  
**010** 10 m  
**050** 50 m  
**100** 100 m  
**N** None  
**B** Binder Series-770

Water Linked reserves all rights to this document and the information contained herein. Products, names, logos and designs described herein may in whole or in part be subject to intellectual property rights. The information contained herein is provided "as-is". No warranty of any kind, either expressed or implied, is made in relation to the accuracy, reliability, fitness for a particular purpose or content of this document. This document may be revised by Water Linked at any time. For most recent documents, please visit [www.waterlinked.com](http://www.waterlinked.com)  
Copyright © 2017, Water Linked.