

## WL-21018 LOCATOR-U1



### DESCRIPTION

The Locator-U1 is a battery powered, digital hydro acoustic locator device including a depth sensor.

The Locator has 3 mounting holes on each side for M3 screws. A default bracket is included.

The internal battery is rechargeable using a USB-C charger (included). Fully charged, the U1 will be operational for approximately 10 hours.

Before deployment in water, the Locator-U1 needs to achieve a GPS lock. The integrated status-LED shows the condition of the GPS lock.

### BENEFITS

- Strap it on to the ROV or diver and start positioning. No cables, no external requirements.
- Extremely small size making it perfect for on-body applications like diving.
- Highly robust operation in areas with reflections (shallow water, around installations etc.)

### CONTENTS

- Locator-U1 with integrated Li-Ion battery
- USB-C cable
- Mounting brackets

### FAMILY

The Locator-U1 is part of the Water Linked Underwater GPS System.

#### WL-20118 MASTER-D1

The Master D1 is the digital position computing board.

The Locator-D1 connects to the Master-D1 using a cable. The Master-D1 connects to your PC. The Master-D1 is a requirement in a positioning system.



#### WL-21005 RECEIVER-D1

The Receiver-D1 is a digital hydro acoustic receiver that is designed to receive the signal from a Water Linked Locator. A minimum of 3 Receiver-D1s are required to get the position of a Locator-D1.



## MECHANICAL

Depth rating	: 300 m
Device length	: 130 mm
Device diameter	: 32 mm
Device weight in air	: 175 g
Operating temperature	: -5 to 60 °C

## OPERATIONAL

Battery lifetime	: ~10 hours
Time to fully recharge	: ~5 hours
Charging	: 5V, 8W

## ACOUSTIC

Range	: 100 meter
Directivity	: Omnidirectional

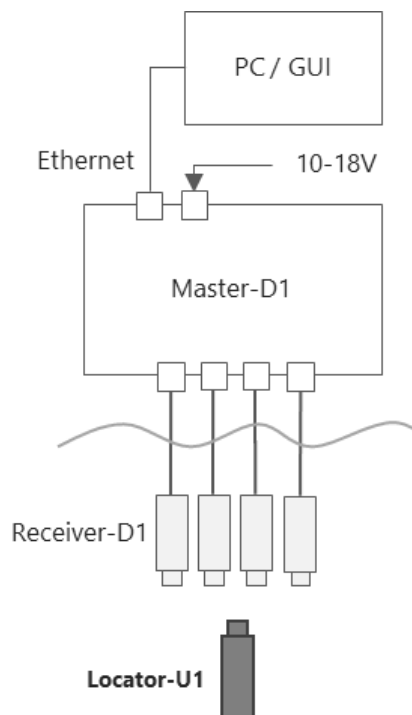
## CONNECTORS

Charging	: USB-C
----------	---------

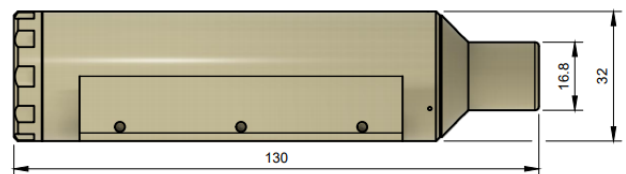
## APPROVALS

RoHS compliant	
CE	

## BLOCK DIAGRAM



## DIMENSIONS



## ORDERING GUIDE

<b>PART NUMBER</b>	<b>WL-21018-1</b>
--------------------	-------------------

Water Linked reserves all rights to this document and the information contained herein. Products, names, logos and designs described herein may in whole or in part be subject to intellectual property rights. The information contained herein is provided "as-is". No warranty of any kind, either expressed or implied, is made in relation to the accuracy, reliability, fitness for a particular purpose or content of this document. This document may be revised by Water Linked at any time. For most recent documents, please visit [www.waterlinked.com](http://www.waterlinked.com)  
 Copyright © 2019, Water Linked.