

WL-21027 ANTENNA



DESCRIPTION

The Antenna makes deployment of the Underwater GPS baseline fast and easy.

It contains 4 acoustic receivers which are held accurately in place by the antenna structure. This creates a perfect receiver baseline for the Underwater GPS system without the need to measure distances for each receiver separately.

The construction is based on a foldable aluminum tube system which makes the Antenna easily portable when folded.

All the antennas are supplied with a RAM Mount which makes it easy to mount the antenna to most boats or other devices. When deploying the antenna, you simply use the twist and lock feature of the RAM Mount to secure it in place.

KEY FEATURES

- Small and compact when folded and large enough for great positioning performance when expanded.
- Fully omnidirectional with 360 degrees operational area.
- Supports Underwater GPS G2 positioning up to 300 meters range.
- Supports endless mounting options using RAM Mounts.
- Foldable design ensures a compact way of transporting and storing the product.
- Rigid center hub ensures a strong and non-moving setup of the receiver arms.
- The main pole is easily replaced with your own structure for custom setups and depths.

EXTERNAL REQUIREMENTS

To start using your Antenna, the requirements are:

- Underwater GPS G2 Topside
- Underwater GPS Locator-A1/D1/U1

MECHANICAL

Dimensions (folded)	: 54 x 12.5 x 14.5 cm
Dimensions (expanded)	: 151 x 98 x 53.5 cm
Device weight (air)	: 1900 grams
Depth rating	: 300 meters
Material	: Aluminum 6060-T6 (Tubes) : PEEK (Transducers) : POM (Joint spacer)
Operating temperature	: -10 to 60 °C
Mounting method	: Antenna: RAM-235U : Arm: RAM-201U : Base: RAM-202U

ELECTRICAL / INTERFACE

Cable	: 10 meters
Connector	: Binder 770 Series

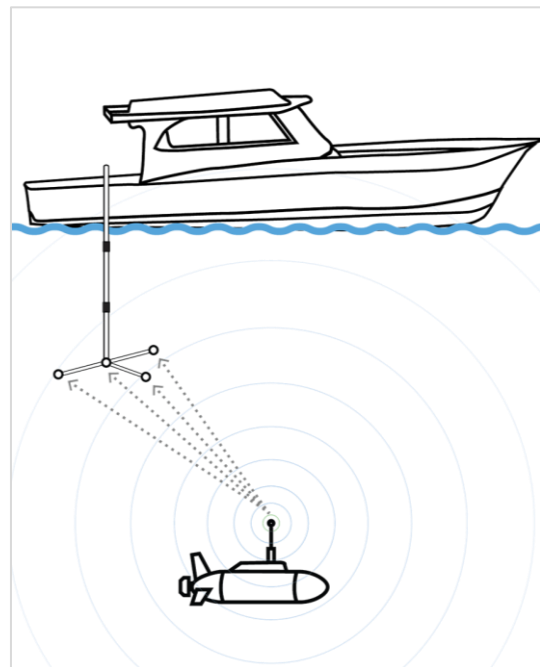
APPROVALS

CE

ACOUSTIC / PERFORMANCE

Transducers	: 4x
Baseline	: Triangle, 98 x 49 cm
Directivity	: Omnidirectional, (360 degrees)
Max range	: 300 meters
Frequency	: 31.25-250 kHz (200 kHz typical)

OPERATING PRINCIPLE



Water Linked reserves all rights to this document and the information contained herein. Products, names, logos and designs described herein may in whole or in part be subject to intellectual property rights. The information contained herein is provided "as-is". No warranty of any kind, either expressed or implied, is made in relation to the accuracy, reliability, fitness for a particular purpose or content of this document. This document may be revised by Water Linked at any time. For most recent documents, please visit www.waterlinked.com
Copyright © 2020, Water Linked AS.